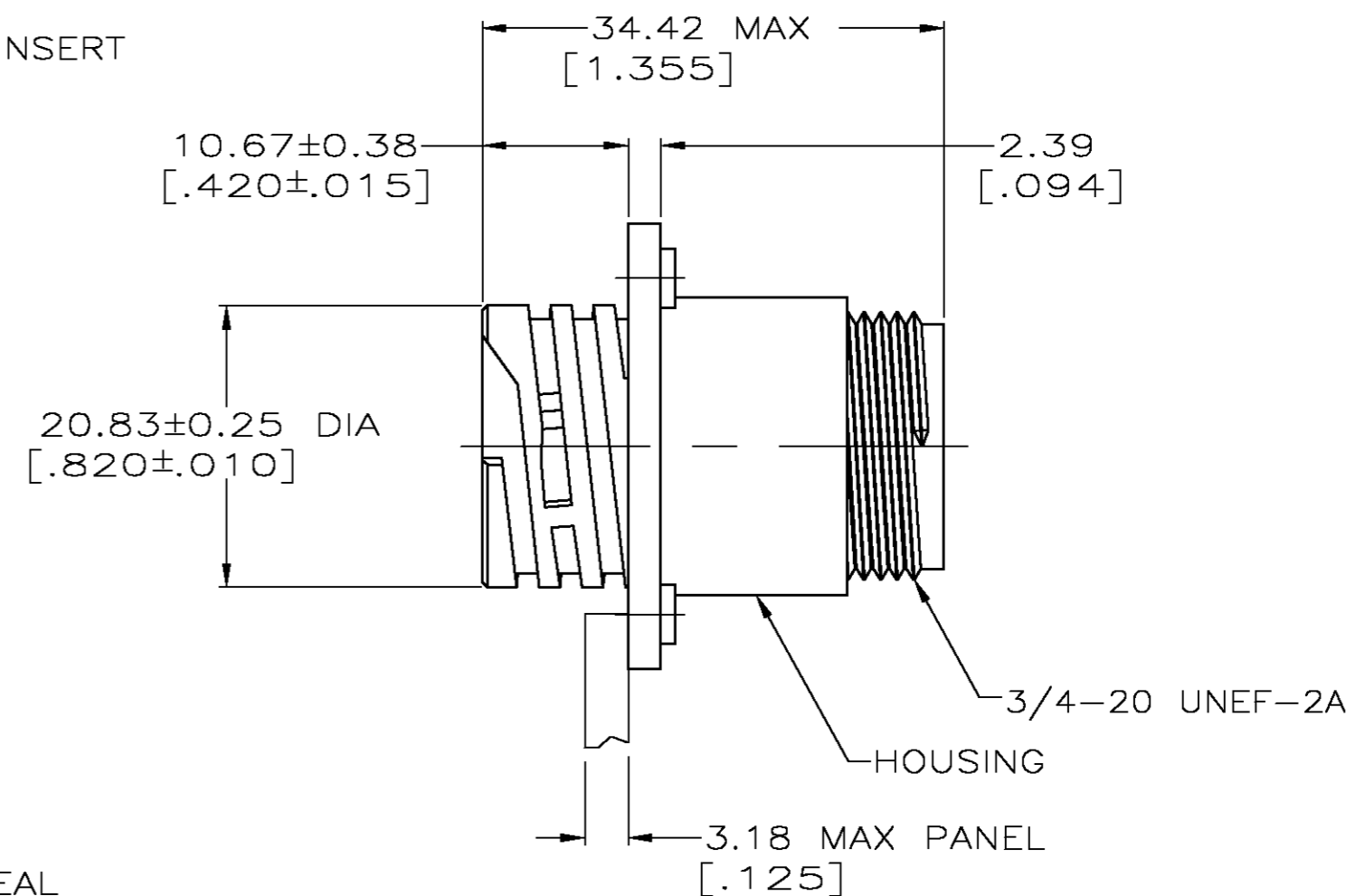
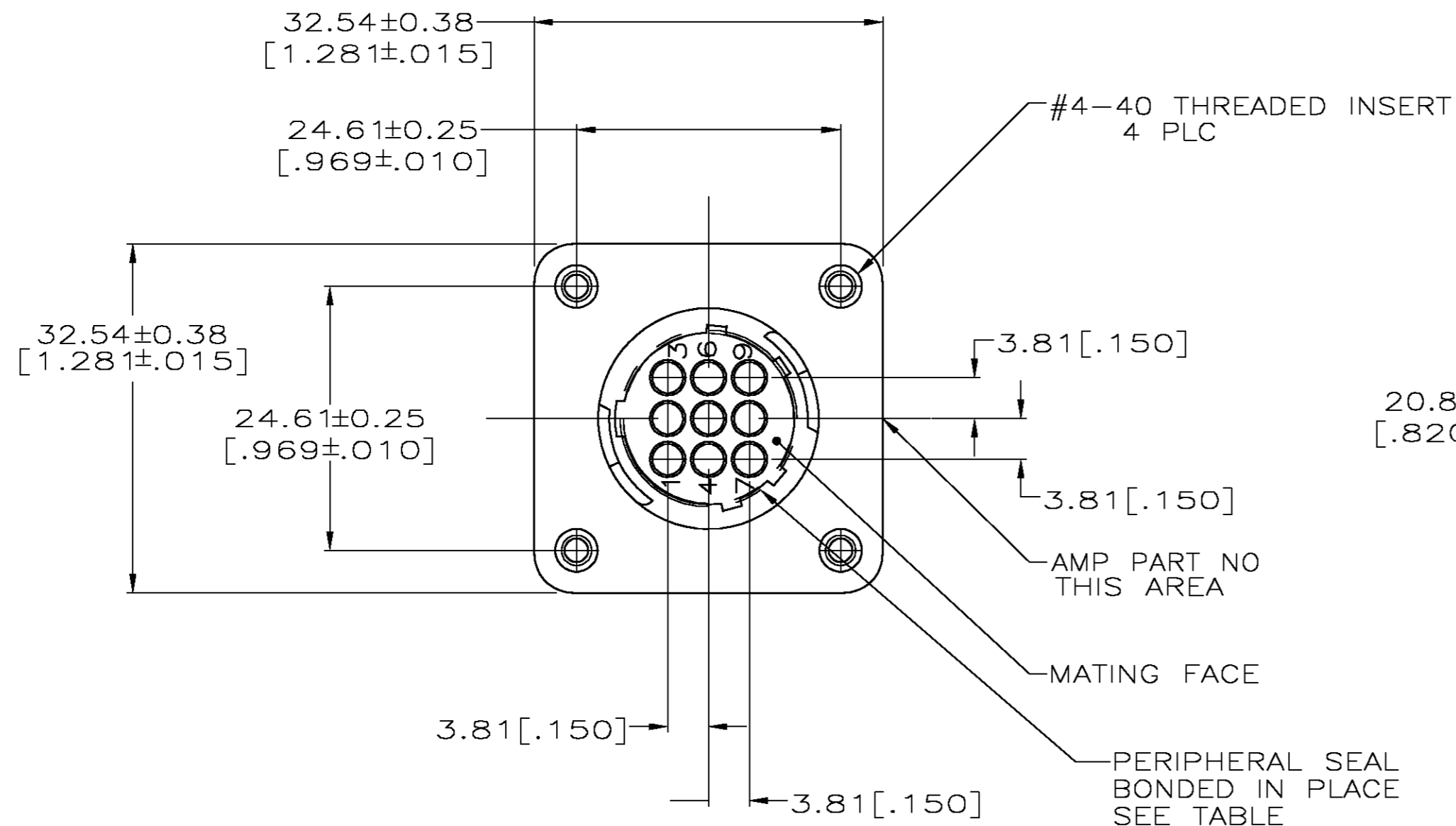


THIS DRAWING IS UNPUBLISHED. RELEASED FOR PUBLICATION
 © COPYRIGHT BY TYCO ELECTRONICS CORPORATION. ALL RIGHTS RESERVED.

LOC		DIST		REVISIONS			
P	LTR	DESCRIPTION	DATE	DWN	APVD		
FT	0	E	REVISED PER 0G3B-0937-04	10/22/04	SS	HW	

1. CAVITY IDENTIFICATION ON FRONT AND REAR FACE.



YES	YES	208131-2
YES	NO	208131-1
THREADED INSERTS	PERIPHERAL SEAL	PART NUMBER

THIS DRAWING IS A CONTROLLED DOCUMENT.		DWN 06-21-94 D.HARDY	Tyco Electronics Corporation Harrisburg, Pa 17105-3608	
DIMENSIONS: INCHES		CHK 06-28-94 R.STONE	Tyco Electronics Corporation	
TOLERANCES UNLESS OTHERWISE SPECIFIED:		APVD -	RECEPTACLE ASSEMBLY W/ THREADED FASTENERS, SHELL SIZE 13, STANDARD SEX, CPC	
0 PLC ± -	1 PLC ± -	PRODUCT SPEC -	SIZE A2	CAGE CODE 00779
2 PLC ± 0.13 [.005]	3 PLC ± -	APPLICATION SPEC -	DRAWING NO C=208131	RESTRICTED TO -
4 PLC ± -	ANGLES ± -	WEIGHT -	SCALE 2:1	SHEET 1 OF 1
MATERIAL: HOUSING: THERMOPLASTIC, BLACK INSERTS: BRASS	FINISH -	CUSTOMER DRAWING	REV E	